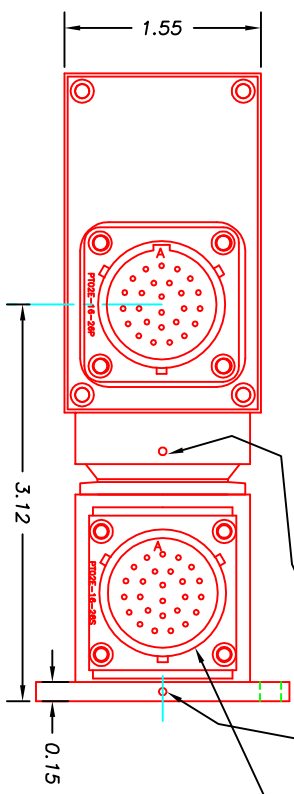


B2020233C

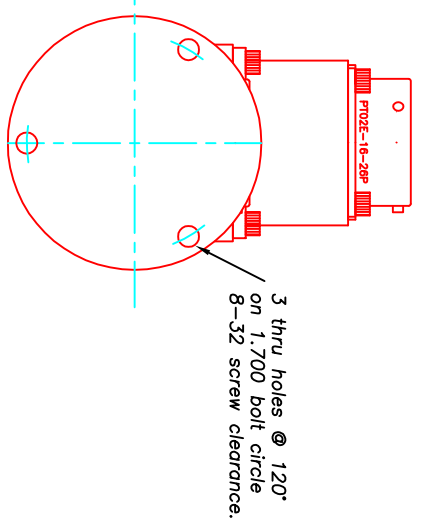
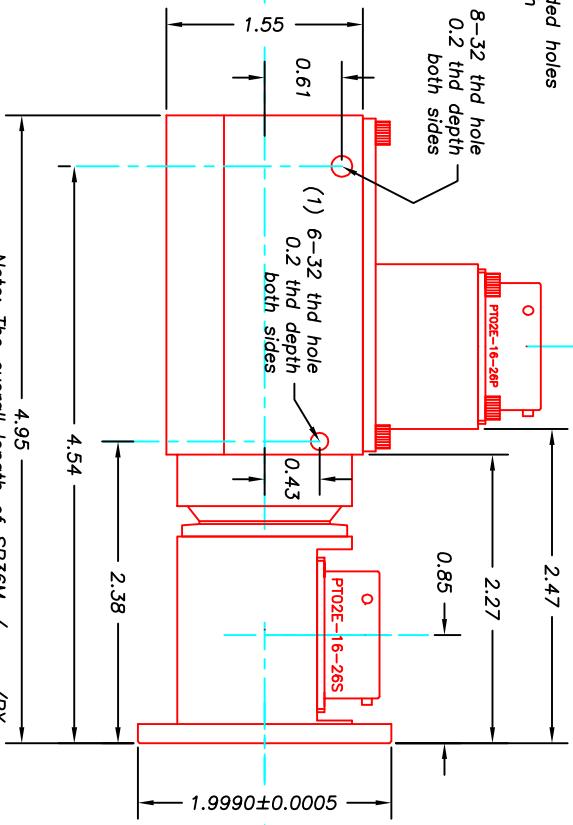
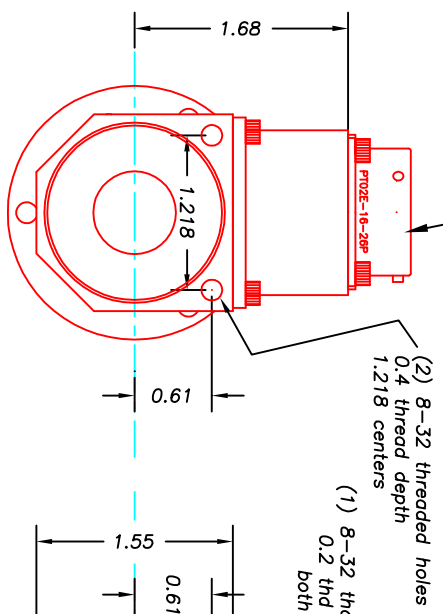
For connector dimensions and information about sealing backshells, see pages 4 - 8 of the price list.

DATE	BY	REVISION	LOC.
2-00 KDL		Added information.	
10-6-00 KDL		Corrected part numbers.	

26 contact stator connector Bendix PT02E-16-26P	
Contact	Function
A - W	20 slip rings
If Encoder	
X	+5 to +20VDC
Y	Ground
Z	Output A
a	Output B
b	Output I
c	Output A ⊕ B
If Resolver	
	Oscillator High
	Oscillator Low
	Cosine High
	Cosine Low
	Sine High
	Sine Low



26 contact rotor connector Bendix PT02E-16-26S	
Contact	Function
A - W	20 slip rings
X - C	No connection



Type M/R rotor  
1.9990 ±.0005 dia.

Note: The overall length of SR36M\_/\_/\_/\_/\_/RX models is 5.80 inches. All other dimensions are the same as these SR20M\_/\_/\_/\_/\_/RX.

36 SLIP RINGS ARE ALSO AVAILABLE IN THIS DESIGN. THE LENGTH INCREASES AND BENDIX JT CONNECTORS ARE USED.

The encoders will operate from +5 to +20 Vdc. Current draw is 50 to 90 ma. Temperature range is -40C to +100C.

The resolvers require a 10 KHz, 16 V peak to peak sine wave oscillator. The Michigan Scientific model RESSC-2-12V resolver electronics includes this oscillator. Temperature range of resolver units is -40C to +120C (-40F to +250F).

SR/ERT series

Model SR20M\_/\_/\_/\_/\_/RX Weight 20 ounces (24 oz. with mating connector).

Model SR20M\_/\_/\_/\_/\_/RX Weight 21 ounces (25 oz. with mating connector).

20 SLIP RINGS & AN OPTICAL ENCODER (E\_/\_/\_/\_/\_\_) OR RESOLVER (R360) IN A WEATHERPROOF HOUSING.

MICHIGAN SCIENTIFIC CORPORATION  
08500 ANGE ROAD  
CHARLEVOIX, MI 49720  
PHONE: (231)547-5511 FAX: (231)547-7070

TOLERANCES	DESIGNED BY	DATE	SCALE
.xxx ±.005	KDL	10-14-98	1:1
xx ±.01	DRAWN BY:	TITLE:	
xxx ±.01	KDL	OUTLINE DRAWING	
SURFACE FINISH	CHECKED BY:	SHT OF	SHTS
---RMS	KDL	OF	SIZE
DRAWING NO.: C337023B	MATERIAL:		BH
	20 RINGS & ENCODER OR RESOLVER.		