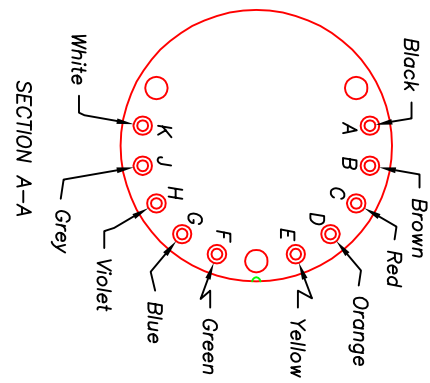


C33710BB

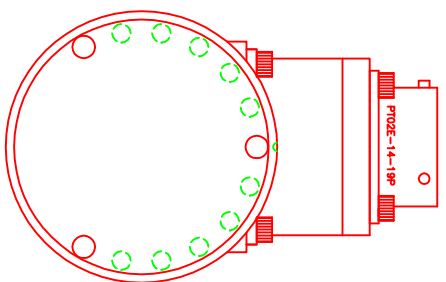
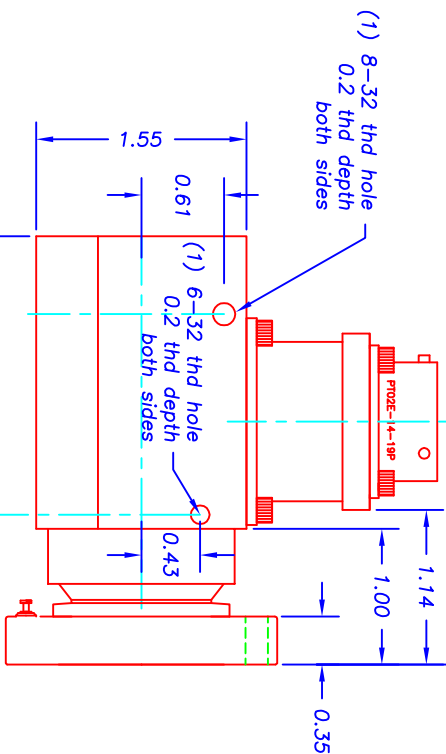
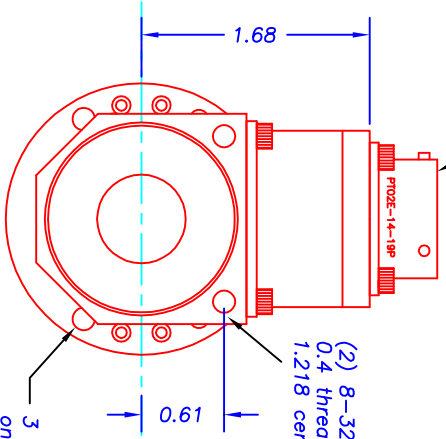
For connector and sealing backshell information see page 4 - 8 of the price list.

DATE	BY	REVISION	LOC.

Contact	Function	If Resolver
A - K	10 slip rings	Oscillator High
P	If Encoder	Oscillator Low
R	+5 TO +20 VDC	Cosine High
S	Ground	Cosine Low
T	A	Sine High
U	B	Sine Low
V	A ⊕ B	



In outdoor applications the terminals need to be sealed from water exposure with a coating of Dow Corning 3145 RTV silicone rubber sealant.



The encoders will operate from +5 to +20 Vdc. Current draw is 50 to 90 mA. Temperature range is -40C to +100C.
 The resolvers require a 10 KHz, 16 V peak to peak sine wave oscillator. The Michigan Scientific model RESSC-2-12V resolver electronics includes this oscillator. Temperature range of resolver units is -40C to +120C (-40F to +250F).

SR/ERT series

Model SR10M_/E_____/X Weight 12oz (13oz with mating connector).
 Model SR10M_/R360/X Weight 13oz (14oz with mating connector).

10 SLIP RINGS & AN ENCODER (E_____) OR A RESOLVER (R360) IN A WEATHERPROOF HOUSING.

MICHIGAN SCIENTIFIC CORPORATION
 08500 ANGE ROAD
 CHARLEVOIX, MI 49720
 PHONE: (231)547-5511 FAX: (231)547-7070

TOLERANCES	DESIGNED BY:	DATE:	SCALE:
xxxx ±.0005	KDL	2-3-00	1:1
xxx ±.005			
xx ±.01			
SURFACE FINISH	CHECKED BY:	TITLE:	OUTLINE DRAWING
---RMS		SHT OF SHTS:	SIZE
DRAWING NO. C33710BB	MATERIAL:	10 RINGS & ENCODER OR RESOLVER.	BH