

# Tubular Slip Ring Assembly

---

## Models B8-2/E60

- 8 circuit slip rings
- Compact design
- Mounts on shafts up to 2" in diameter
- Permanently lubricated bearings
- Rugged stainless steel construction
- Instrumentation quality rings and brushes
- 60 pulse per revolution encoder option



## Description

Michigan Scientific's *B Series Slip Ring Assemblies* are ideal for applications that require the slip ring to be mounted directly on a rotating shaft. Typically used for automotive drive shaft measurement applications, they are designed to fit on shafts up to 2" in diameter and make an electrical connection to strain gages, thermocouples, or other sensors that have been installed on rotating equipment. The slip ring brushes and rings are made of precious metals, which minimize noise and enable the assemblies to be used for low level instrumentation signals.

The *B8-2/E60* is particularly useful for drive shaft applications where both torque and thrust measurements are needed. In addition, the *B8-2/E60* provides enough circuit connections for measuring up to five amplified strain gage or thermocouple signals. Michigan Scientific's precision strain gage and thermocouple amplifiers, positioned on the rotation side of the slip ring, greatly improve signal quality. They reduce the amount of errors due to long lead wires, connector resistance variations, electro-magnetic interference, and temperature gradients across slip ring contacts.

Connections are made through color coded solder terminals located on the slip ring rotor and a connector on the slip ring stator. Each slip ring assembly includes a 15 ft. cable with a single mating connector attached. The compact-width design of these slip rings make them ideal for applications where limited space is available.

### Encoder option

The encoder included in the *B8-2/E60 Tubular Slip Ring Assembly* produces a 60 pulse/revolution 5-volt square wave. The TTL compatible signal is produced by a hall-effect sensor, which allows speed to be determined down to 0 rpm. The voltage required to drive the encoder can range from 5.5 to 45 DC volts.

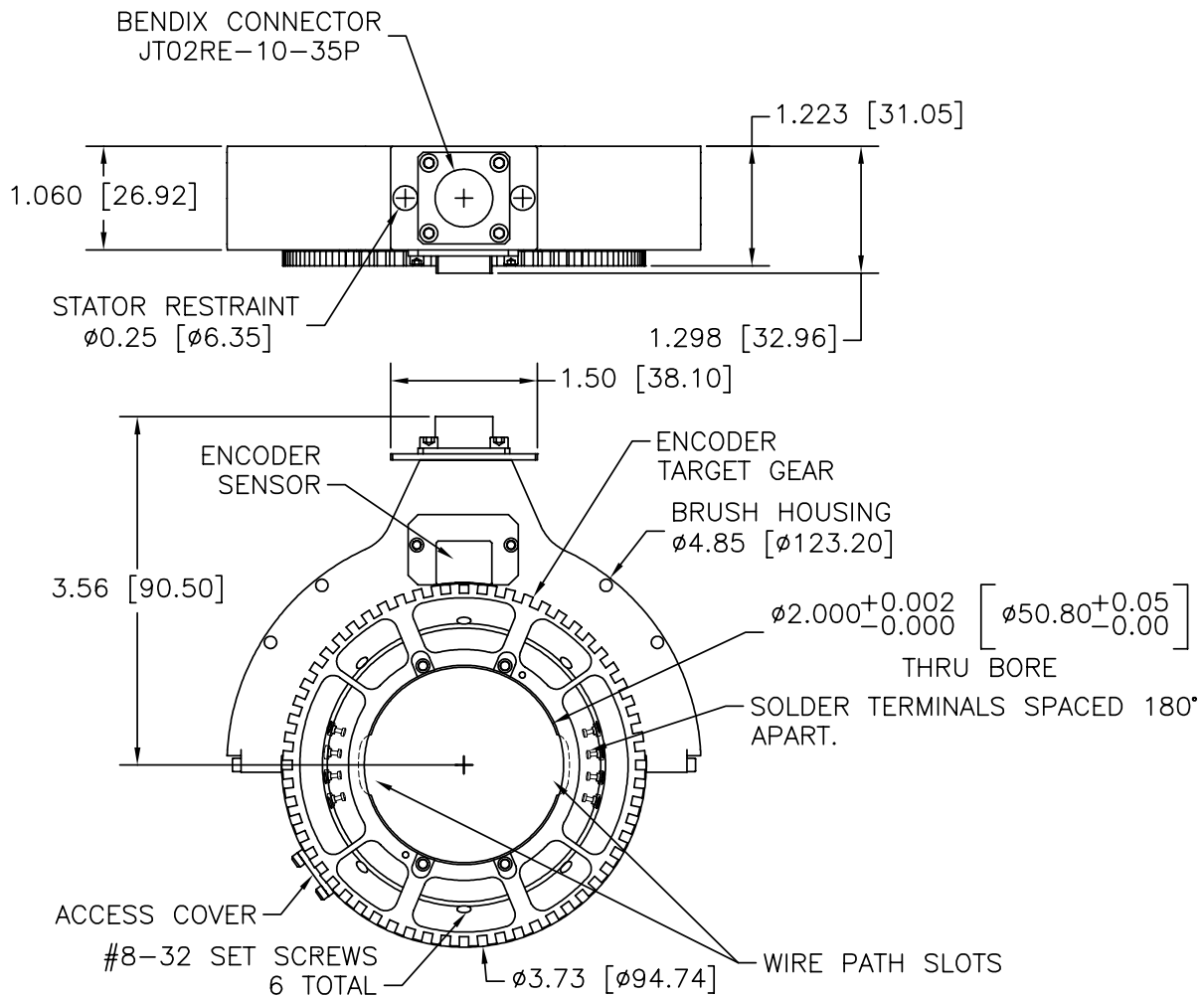
# Tubular Slip Ring Assembly

## Specifications

	<b>B8-2/E60</b>
Circuits	8
Current Capacity	1A
Temperature Range	-40°F to 250°F (-40°C to 121°C)
RPM Rating	7000 RPM
Maximum Peak Noise*	0.1Ω
Width	1.30 in. (32.96 mm)
Weight	1.9 lbs (0.86 kg)
Output Connector	Bendix JT02RE-10-35P

\* Resistance variation across slip ring contact.

## B8-2/E60 Configuration



C566025A  
B8-2/E60  
10/19/2006

8500 Ance Road  
Charlevoix, MI 49720  
Tel: 231-547-5511  
Fax: 231-547-7070  
Rev: 10/19/06

**MICHIGAN SCIENTIFIC**  
corporation  
<http://www.michsci.com>  
Email: [mscinfo@michsci.com](mailto:mscinfo@michsci.com)

321 East Huron Street  
Milford, MI 48381  
Tel: 248-685-3939  
Fax: 248-685-5406